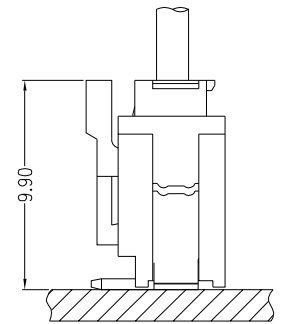
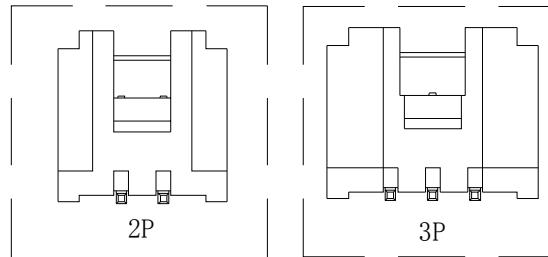
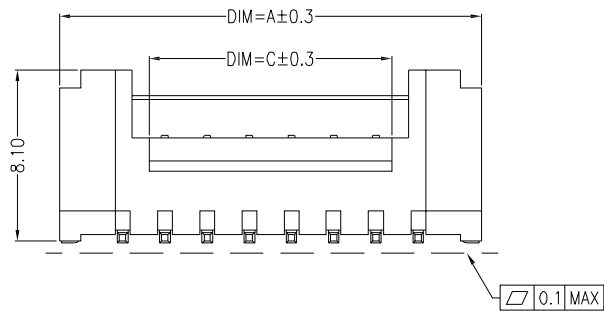


SUGGESTED PCB LAYOUT



Assembly Layout

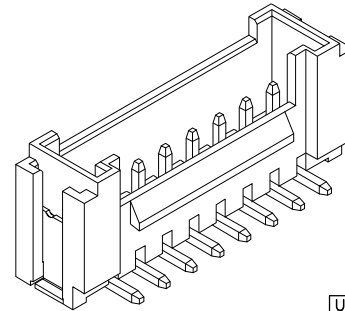


主要技术参数 Main Specifications

- 线 数 (Poles): 02 to 16
- 接触电阻 (Contact resistance): $\leq 20m\Omega$
- 绝缘电阻 (Insulation resistance): $\geq 1000M\Omega$
- 额定电压 (Rated voltage): 250V AC DC
- 额定电流 (Rated current): 2.0A AC DC
- 耐 电 压 (Withstand Voltage): 1000V AC/minute
- 温度范围 (Temperature Range): $-25^{\circ}C \sim +105^{\circ}C$

| NO. | DESCRIPTION | QTY | MATERIAL | PLATING/COLOR |
|-----|-------------|------|---------------|---------------|
| A | Insulator | 1 | LCP (UL94V-0) | Beige |
| B | Contacts | 2~16 | Brass | Tin-plated |
| C | Solder Tab | 2 | Brass | Tin-plated |

| Circuits | Dimensions (mm) | | | | Circuits | Dimensions (mm) | | | |
|----------|-----------------|-------|-------|-------|----------|-----------------|-------|-------|-------|
| | DIM=A | DIM=B | DIM=C | DIM=D | | DIM=A | DIM=B | DIM=C | DIM=D |
| 02 | 8.00 | 2.00 | 2.70 | 4.90 | 10 | 24.00 | 18.00 | 15.50 | 20.90 |
| 03 | 10.00 | 4.00 | 2.70 | 6.90 | 11 | 26.00 | 20.00 | 15.50 | 22.90 |
| 04 | 12.00 | 6.00 | 3.50 | 8.90 | 12 | 28.00 | 22.00 | 15.50 | 24.90 |
| 05 | 14.00 | 8.00 | 5.50 | 10.90 | 13 | 30.00 | 24.00 | 15.50 | 26.90 |
| 06 | 16.00 | 10.00 | 7.50 | 12.90 | 14 | 32.00 | 26.00 | 15.50 | 28.90 |
| 07 | 18.00 | 12.00 | 9.50 | 14.90 | 15 | 34.00 | 28.00 | 15.50 | 30.90 |
| 08 | 20.00 | 14.00 | 11.50 | 16.90 | 16 | 36.00 | 30.00 | 15.50 | 32.90 |
| 09 | 22.00 | 16.00 | 13.50 | 18.90 | | | | | |



| | | |
|-------------|---|------------------------|
| UNITS mm | mstconn 深圳市德瑞电子有限公司 SHENZHEN DERUI ELECTRONIC CO., LTD. | |
| MAT'L | PART NO. (INTENDED USE) HY2. 0-nAB | TITLE: HY2. 0立贴针座 |
| FINISH | APPD: | DWG NO.: HY2. 0-nAB |
| Q'TY PCS | CHKD: DR: HU 2016. 09. 28 | SCALE 1/1 |
| | | SHEET 1/1 |
| | | REV. A |