

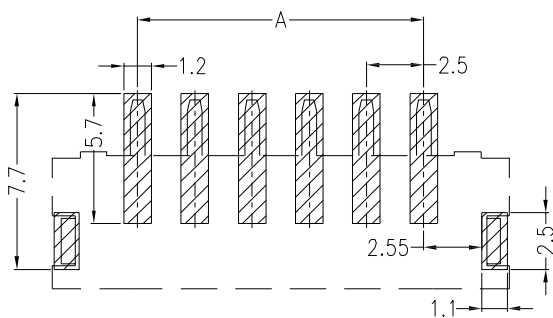
Assembly Layout

C	Solder Tab	2 PCS	PhosphorBronze	Sn-plated
B	CONTACT	1~16 PCS	Brass	Sn-plated
A	HOUSING	1 PCS	LCP	UL 94V-0, COLOR:BEIGE
ITEM	COMPONENT	Q'TY	MATERIAL	FINISH

Circuit	Dimensions(mm)			
	A	B	C	D
02	2.50	7.50	10.00	6.00
03	5.00	10.00	12.50	8.50
04	7.50	12.50	15.00	11.00
05	10.00	15.00	17.50	13.50
06	12.50	17.50	20.00	16.00
07	15.00	20.00	22.50	18.50
08	17.50	22.50	25.00	21.00
09	20.00	25.00	27.50	23.50
10	22.50	27.50	30.00	26.00
11	25.00	30.00	32.50	28.50
12	27.50	32.50	35.00	31.00
13	30.00	35.00	37.50	33.50
14	32.50	37.50	40.00	36.00
15	35.00	40.00	42.50	38.50
16	37.50	42.50	45.00	41.00

主要技术参数 Main Specifications

- 线数 (Poles): 02 to 16
- 接触电阻 (Contact resistance): $\leq 20m\Omega$
- 绝缘电阻 (Insulation resistance): $\geq 1000M\Omega$
- 额定电压 (Rated voltage): 250V AC DC
- 额定电流 (Rated current): 3.0A AC DC
- 耐电压 (Withstand Voltage): 1000V AC/minute
- 温度范围 (Temperature Range): $-25^{\circ}C \sim +105^{\circ}C$



SUGGESTED PCB LAYOUT

UNITS	mm	mstconn 深圳市德瑞电子有限公司 SHENZHEN DERUI ELECTRONIC CO.,LTD.		
MAT'L				
FINISH		PART NO.(INTENDED USE) XH2. 54-2ABK		
Q'TY	PCS	TITLE: XH2. 54立贴2P带扣		
DR:	HU 2016. 09. 28	APPD: CHKD: DWG NO.: XH2. 54-2ABK		
		SCALE	SHEET	REV.
		1/1	1/1	A

X.± 0.3	X°± 5°
.X± 0.25	.X°± 2°
.XX± 0.20	.XX°± 1°
.XXX± 0.10	.XXX°± 0.5°