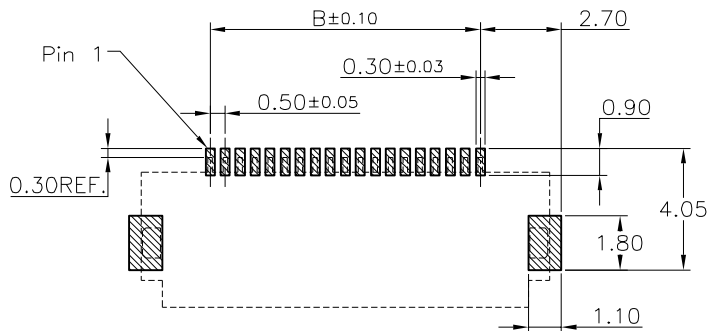


NOTE:

- MATERIAL:
HOUSING: LCP,UL 94V-0,COLOR:NATURE;
COVER: LCP,UL 94V-0,COLOR:BLACK;
CONTACT: P/B C5210,T=0.15;
PEG: BRASS C2680,T=0.20;
- PLATING:
CONTACT: (SEE P/N. INFORMATION) GOLD OR TIN UNDER PLATED NICKEL OVERALL.
PEG: TIN UNDER PLATED NICKEL OVERALL.
- DIM. MARKED M SHOULD BE MEASURED BY FAI;
- DIM. MARKED X SHOULD BE CONTROLLED BY QC;
- DIM. MARKED CPK SHOULD BE ANALYSED TERMPLY BY QC; CPK=1.0
- DIMENSION A/B/C SEE TABLE 1;



RECOMMEND PCB LAYOUT
TOLERANCE: ±0.05

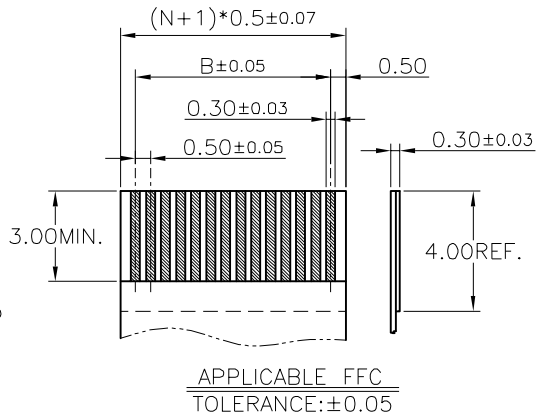


TABLE 1:

PIN NO.(N)	DIM. A	DIM. B	DIM. C
26~60	(N-1)*0.50+4.60	(N-1)*0.50	(N-1)*0.50+1.07

UNITS mm	MSTCONN 深圳市德瑞电子有限公司 SHENZHEN DERUI ELECTRONIC CO.,LTD.			
MAT'L	PART NO.(INTENDED USE) 0515-**-CL-SN	TITLE: 0.5翻盖H1.5		
FINISH	APPD:	DWG NO.:		
Q'TY	CHKD:	0515-**-CL-SN		
.X± 0.3	.X°± 5°	DR: HU 2016.09.28		
.X± 0.25	.X°± 2°	SCALE		SHEET
.XX± 0.20	.XX°± 1°	1/1		1/1
.XXX± 0.10	.XXX°± 0.5°	REV.		A