

1.MATERIAL
 HOUSING:LCP UL 94V-0
 ACTUATOR:LCP UL 94V-0
 CONTACTS:COPPER ALLOY
 PEG: COPPER ALLOY

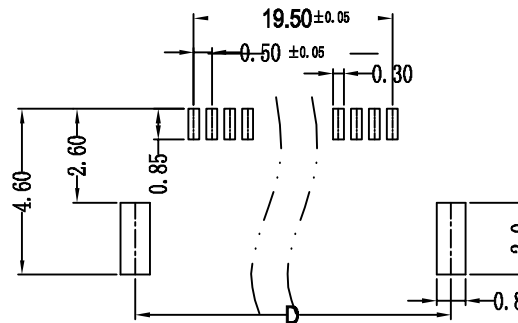
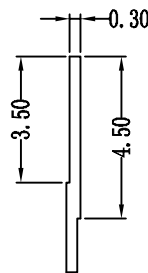
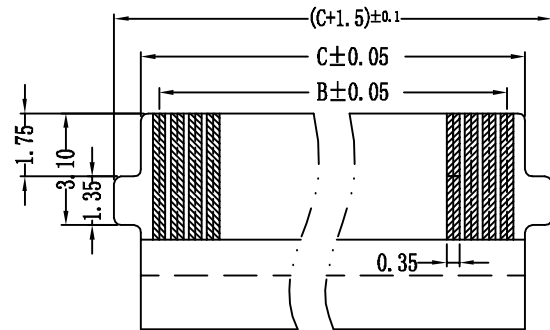
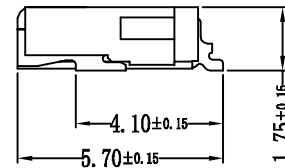
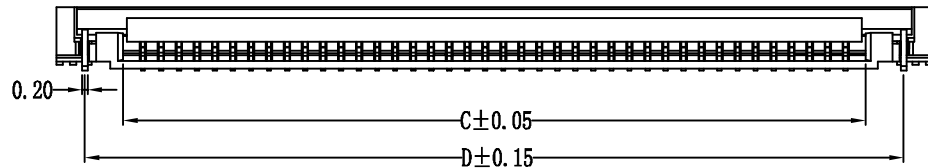
2.PLATING:
 CONTACTS:TIN OVER NICKEL
 PEG:TIN OVER NICKEL

3.PART NO:
 OPERATING VOLTAGE:50V AC,DC
 CURRENT RATING:0.3A AC,DC
 OPERATING TEMPERATURE:-25C~+85C
 4.PART NO:

05175-xxCL-GF

GF:GOLD FLASH
 SN:TIN OVER NICKEL

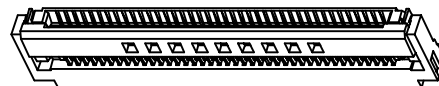
NO.OF CONTACTS:(08Pin~60Pin)



PCB LAYOUT

| No. of Contacts | DIM. | | | |
|-----------------|-------|-------|-------|-------|
| | A | B | C | D |
| 06 | 7.30 | 2.50 | 3.60 | 5.72 |
| 08 | 8.30 | 3.50 | 4.60 | 6.72 |
| 10 | 9.30 | 4.50 | 5.60 | 7.72 |
| 12 | 10.30 | 5.50 | 6.60 | 8.72 |
| 13 | 10.80 | 6.00 | 7.10 | 9.22 |
| 18 | 13.30 | 8.50 | 9.60 | 11.72 |
| 24 | 16.30 | 11.50 | 12.60 | 14.72 |
| 28 | 18.30 | 13.50 | 14.60 | 16.72 |
| 30 | 19.30 | 14.50 | 15.60 | 17.72 |
| 32 | 20.30 | 15.50 | 16.60 | 18.72 |
| 40 | 24.30 | 19.50 | 20.60 | 22.72 |
| 50 | 29.30 | 24.50 | 25.60 | 27.72 |
| 57 | 32.80 | 28.00 | 29.10 | 28.22 |
| 60 | 34.30 | 29.50 | 30.60 | 29.72 |

RECOMMENDED FPC DIMENSION



| | |
|--------|-----|
| UNITS | mm |
| MAT'L | |
| FINISH | |
| Q'TY | PCS |

| | |
|------------|--------------|
| X.± 0.3 | X°.± 5° |
| .X± 0.25 | .X°.± 2° |
| .XX± 0.20 | .XX°.± 1° |
| .XXX± 0.10 | .XXX°.± 0.5° |

mstconn 深圳市德瑞电子有限公司
 SHENZHEN DERUI ELECTRONIC CO.,LTD.

| PART NO.(INTENDED USE) | TITLE: 0.5 PITCH 1.75H FPC CONN. | | | | | | |
|------------------------|--|-------|-------|------|-----|-----|---|
| APPD: | DWG NO.: | | | | | | |
| CHKD: | | | | | | | |
| DR: HU 2016.09.28 | | | | | | | |
| | <table border="1"> <tr> <th>SCALE</th> <th>SHEET</th> <th>REV.</th> </tr> <tr> <td>1/1</td> <td>1/1</td> <td>A</td> </tr> </table> | SCALE | SHEET | REV. | 1/1 | 1/1 | A |
| SCALE | SHEET | REV. | | | | | |
| 1/1 | 1/1 | A | | | | | |