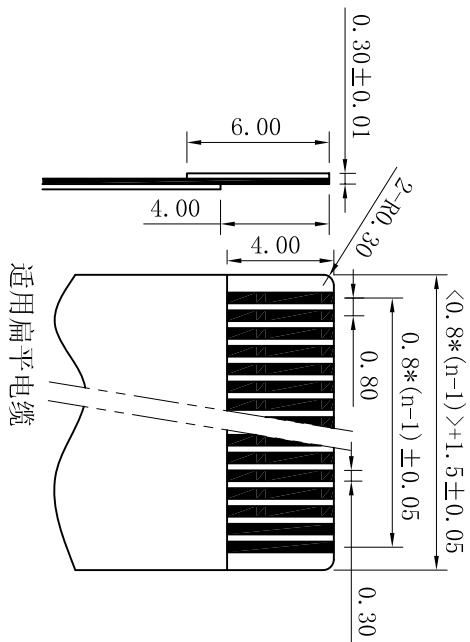
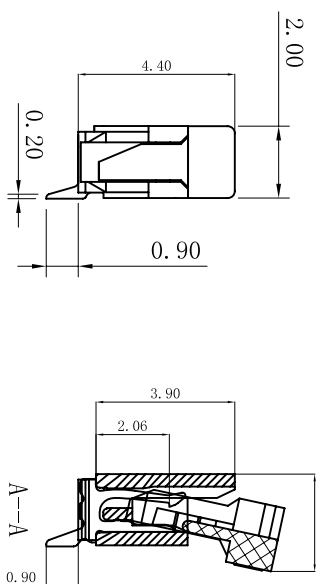
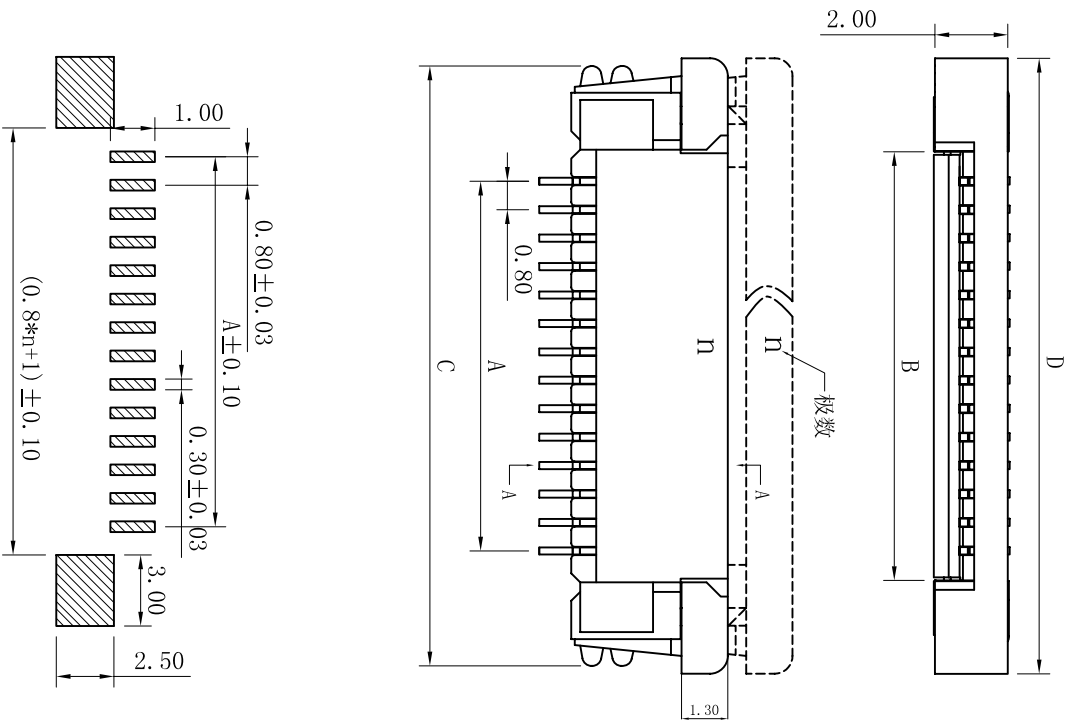


PITCH 0.8mm FPC CONNECTOR SMT TYPE

性能:

- 额定电流: 0.4A
- 额定电压: 50V
- 耐电压: 200V
- 接触电阻: $\leq 20m\Omega$
- 绝缘电阻: $500M\Omega$
- 工作温度: $-20^{\circ}C \sim +85^{\circ}C$

- 塑件 (材质): LCP, UL94V-0
- 锁扣 (材质): LCP, UL94V-0
- 插簧 (材质): 磷青铜, 镀锡/镀金
- 焊片 (材质): 磷青铜, 镀锡/镀金



适用扁平电缆

孔位	A	B	C	D
4	2.4	4	9.6	10.3
5	3.2	4.8	10.4	11.1
6	4	5.6	11.2	11.9
7	4.8	6.4	12	12.7
8	5.6	7.2	12.8	13.5
9	6.4	8	13.6	14.3
10	7.2	8.8	14.4	15.1
11	8	9.6	15.2	15.9
12	8.8	10.4	16	16.7
13	9.6	11.2	16.8	17.5
14	10.4	12	17.6	18.3
15	11.2	12.8	18.4	19.1
16	12	13.6	19.2	19.9
17	12.8	14.4	20	20.7
18	13.6	15.2	20.8	21.5
19	14.4	16	21.6	22.3
20	15.2	16.8	22.4	23.1
21	16	17.6	23.2	23.9
22	16.8	18.4	24	24.7
23	17.6	19.2	24.8	25.5
24	18.4	20	25.6	26.3
25	19.2	20.8	26.4	27.1
26	20	21.6	27.2	27.9
27	20.8	22.4	28	28.7
28	21.6	23.2	28.8	29.5
29	22.4	24	29.6	30.3
30	23.2	24.8	30.4	31.1
31	24	25.6	31.2	31.9
32	24.8	26.4	32	32.7
33	25.6	27.2	32.8	33.5
34	26.4	28	33.6	34.3
35	27.2	28.8	34.4	35.1



SHEN ZHEN DE RUI ELECTRONIC CO., LTD

0.8mm FPC (B型) 半包上接(H=2.0)

0.8K-BS-nPWB

SCALE	SHEET	REV.
1/1	1/1	A

X ± 0.3	X° ± 5°	UNITS	mm
.X ± 0.25	.X° ± 2°	MAT'L	
.XX ± 0.20	.XX° ± 1°	FINISH	
.XXX ± 0.10	.XXX° ± 0.5°	Q'TY	

NAME (INTENDED USE)	0.8mm FPC (B型) 半包上接(H=2.0)
PART NO. (INTENDED USE)	0.8K-BS-nPWB(H=2.0)
APDP:	
CHKD:	
DWG NO.:	YLZ 2011.09.28

THESE DRAWINGS AND SPECIFICATIONS ARE THE PROPERTY OF DE RUI ELECTRONIC FACTORY AND SHALL NOT BE REPRODUCED, COPIED OR USED IN ANY MANNER WITHOUT THE PRIOR WRITTEN CONSENT OF DE RUI ELECTRONIC FACTORY