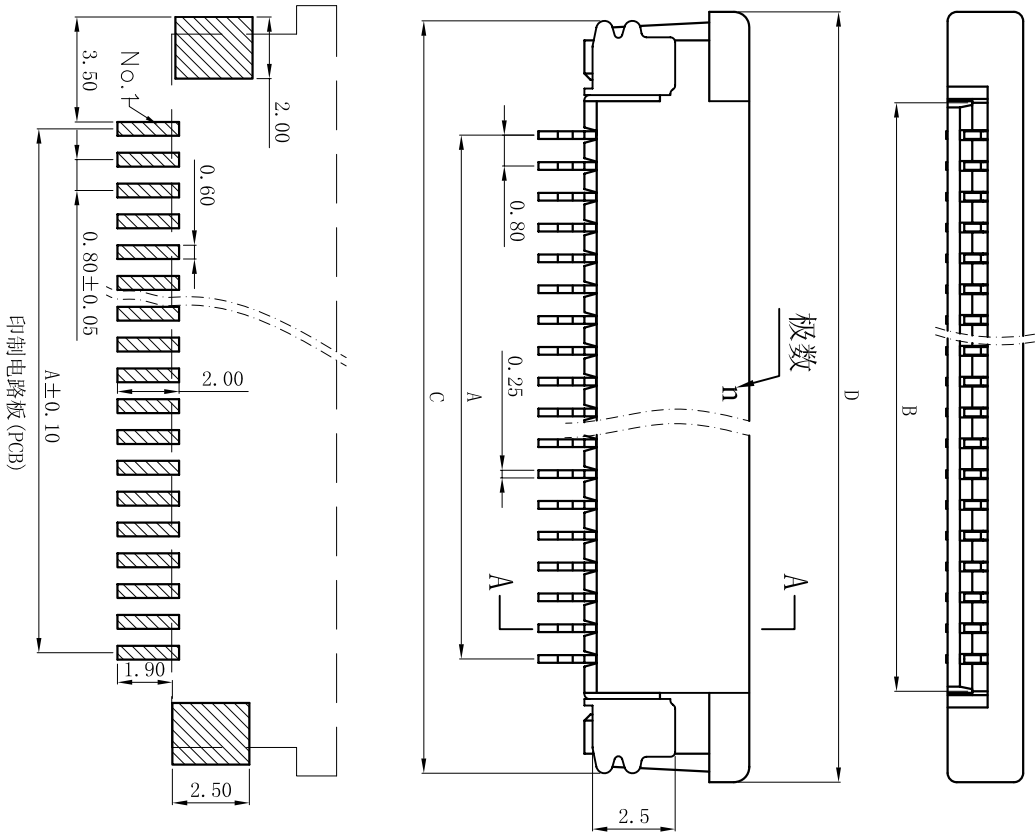


PITCH 0.8mm FPC CONNECTOR SMT TYPE

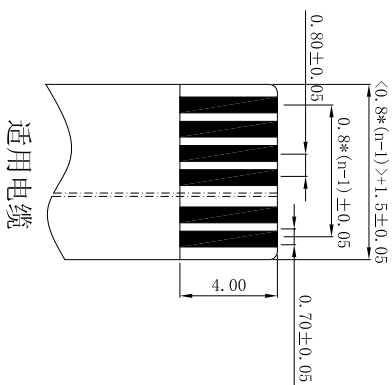
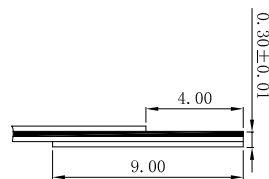


性能:

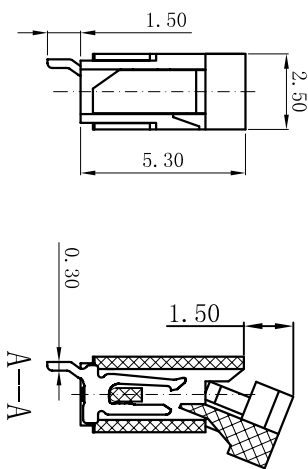
- 额定电流: 0.4A
- 额定电压: 50V
- 耐电压: 200V
- 接触电阻: $\leq 20m\Omega$
- 绝缘电阻: 500M Ω
- 工作温度: -20°C ~ +85°C

- 塑件 (材质): LCP, UL94V-0
- 锁扣 (材质): LCP, UL94V-0
- 插簧 (材质): 磷青铜, 镀锡/镀金
- 焊片 (材质): 磷青铜, 镀锡/镀金

印制电路板 (PCB)



适用电缆



孔位	A	B	C	D
4	2.4	4	9.6	10.3
5	3.2	4.8	10.4	11.1
6	4	5.6	11.2	11.9
7	4.8	6.4	12	12.7
8	5.6	7.2	12.8	13.5
9	6.4	8	13.6	14.3
10	7.2	8.8	14.4	15.1
11	8	9.6	15.2	15.9
12	8.8	10.4	16	16.7
13	9.6	11.2	16.8	17.5
14	10.4	12	17.6	18.3
15	11.2	12.8	18.4	19.1
16	12	13.6	19.2	19.9
17	12.8	14.4	20	20.7
18	13.6	15.2	20.8	21.5
19	14.4	16	21.6	22.3
20	15.2	16.8	22.4	23.1
21	16	17.6	23.2	23.9
22	16.8	18.4	24	24.7
23	17.6	19.2	24.8	25.5
24	18.4	20	25.6	26.3
25	19.2	20.8	26.4	27.1
26	20	21.6	27.2	27.9
27	20.8	22.4	28	28.7
28	21.6	23.2	28.8	29.5
29	22.4	24	29.6	30.3
30	23.2	24.8	30.4	31.1
31	24	25.6	31.2	31.9
32	24.8	26.4	32	32.7
33	25.6	27.2	32.8	33.5
34	26.4	28	33.6	34.3
35	27.2	28.8	34.4	35.1

UNITS	mm
X ± 0.3	X° ± 5°
.X ± 0.25	.X° ± 2°
.XX ± 0.20	.XX° ± 1°
.XXX ± 0.10	.XXX° ± 0.5°

NAME (INTENDED USED)	0.8mm FPC (B型) 半包下接存焊片 (H=2.5)
MATERIAL	
FINISH	
Q'TY	
APDR:	0.8K-BK-DRWB
CHKD:	
DR:	YLZ 2011.09.28
TITLE:	0.8mm FPC (B型) 半包下接存焊片 (H=2.5)
DWG NO.:	080K05-BKX00000000
SCALE	1/1
SHEET	1/1
REV.	A

MSTCONN

SHEN ZHEN DE RUI ELECTRONIC CO., LTD