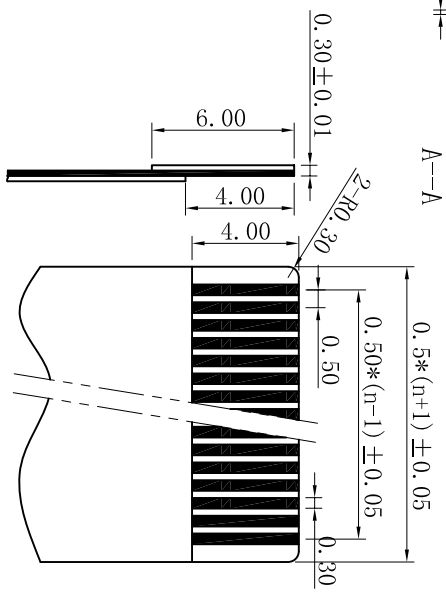
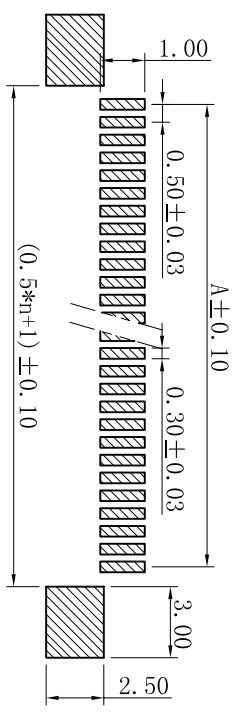
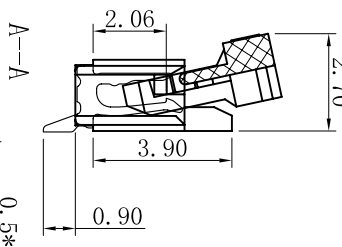
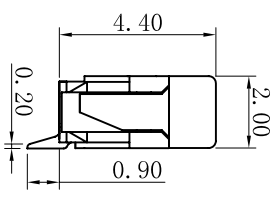
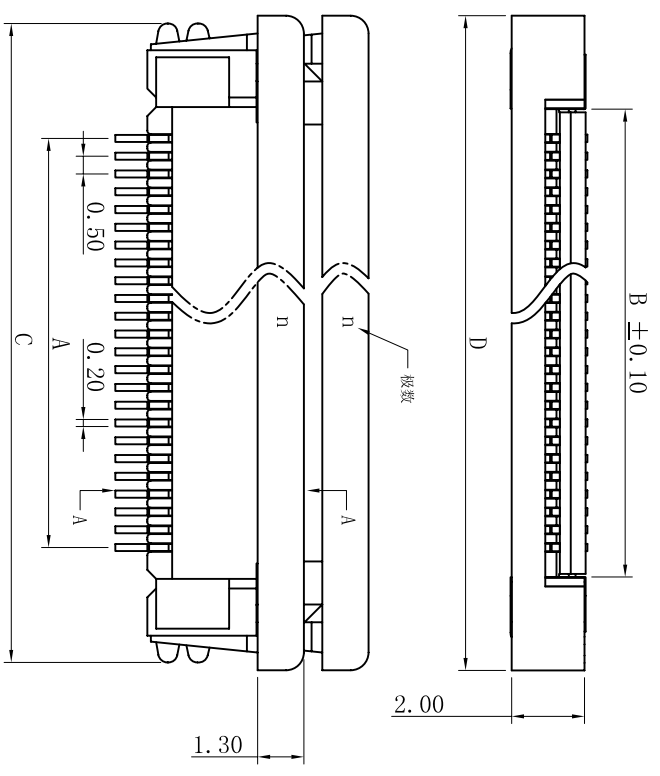


PITCH 0.5mm FPC CONNECTOR SMT TYPE

性能:

- 额定电流: 0.5A
- 额定电压: 50V
- 耐电压: 500V
- 接触电阻: $\leq 20m\Omega$
- 绝缘电阻: $500M\Omega$
- 工作温度: $-20^{\circ}C \sim +85^{\circ}C$

塑件 (材质): LCP, UL94V-0
 锁扣 (材质): LCP, UL94V-0
 插簧 (材质): 磷青铜, 镀锡/镀金
 焊片 (材质): 磷青铜, 镀锡/镀金



适用扁平电缆

孔位	A	B	C	D
4	1.50	2.60	8.00	8.70
5	2.00	3.10	8.50	9.20
6	2.50	3.60	9.00	9.70
7	3.00	4.10	9.50	10.20
8	3.50	4.60	10.00	10.70
9	4.00	5.10	10.50	11.20
10	4.50	5.60	11.00	11.70
11	5.00	6.10	11.50	12.20
12	5.50	6.60	12.00	12.70
13	6.00	7.10	12.50	13.20
14	6.50	7.60	13.00	13.70
15	7.00	8.10	13.50	14.20
16	7.50	8.60	14.00	14.70
17	8.00	9.10	14.50	15.20
18	8.50	9.60	15.00	15.70
19	9.00	10.10	15.50	16.20
20	9.50	10.60	16.00	16.70
21	10.00	11.10	16.50	17.20
22	10.50	11.60	17.00	17.70
23	11.00	12.10	17.50	18.20
24	11.50	12.60	18.00	18.70
25	12.00	13.10	18.50	19.20
26	12.50	13.60	19.00	19.70
27	13.00	14.10	19.50	20.20
28	13.50	14.60	20.00	20.70
29	14.00	15.10	20.50	21.20
30	14.50	15.60	21.00	21.70
31	15.00	16.10	21.50	22.20
32	15.50	16.60	22.00	22.70
33	16.00	17.10	22.50	23.20
34	16.50	17.60	23.00	23.70
35	17.00	18.10	23.50	24.20
36	17.50	18.60	24.00	24.70
37	18.00	19.10	24.50	25.20
38	18.50	19.60	25.00	25.70
39	19.00	20.10	25.50	26.20
40	19.50	20.60	26.00	26.70
41	20.00	21.10	26.50	27.20
42	20.50	21.60	27.00	27.70
43	21.00	22.10	27.50	28.20
44	21.50	22.60	28.00	28.70
45	22.00	23.10	28.50	29.20
46	22.50	23.60	29.00	29.70
47	23.00	24.10	29.50	30.20
48	23.50	24.60	30.00	30.70
49	24.00	25.10	30.50	31.20
50	24.50	25.60	31.00	31.70
51	25.00	26.10	31.50	32.20
52	25.50	26.60	32.00	32.70
53	26.00	27.10	32.50	33.20
54	26.50	27.60	33.00	33.70
55	27.00	28.10	33.50	34.20
56	27.50	28.60	34.00	34.70
57	28.00	29.10	34.50	35.20
58	28.50	29.60	35.00	35.70
59	29.00	30.10	35.50	36.20
60	29.50	30.60	36.00	36.70

mstconn

SHEN ZHEN DE RUI ELECTRONIC CO., LTD

TITLE: 0.5mm FPC (B型) 下接

NAME (INTENDED USED)		UNITS	MIN
0.5mm FPC (B型) 下接		mm	
PART NO. (INTENDED USED)		MATERIAL	
0.5K-BX-dt-WB			
FINISH		Q'TY	
.XXX ± 0.10	.XX° ± 0.5°		
.X ± 0.25	.X° ± 2°		
.XX ± 0.20	.XX° ± 1°		
.X ± 0.3	X° ± 5°		
APDR:		CHKD:	
DRE:		DTE:	
YLZ 2011.09.28			

DWG NO.: 050K07-BXB0000000		SCALE	SHEET	REV.
		1/1	1/1	A

