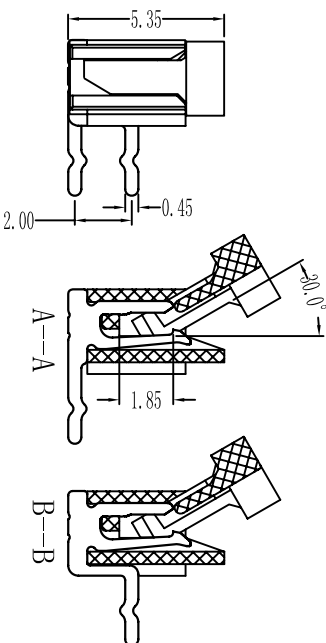
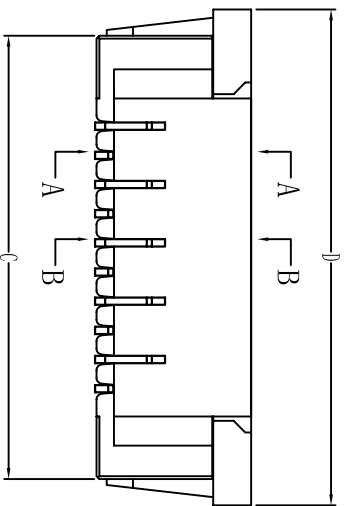
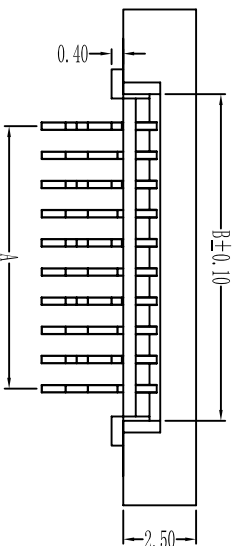
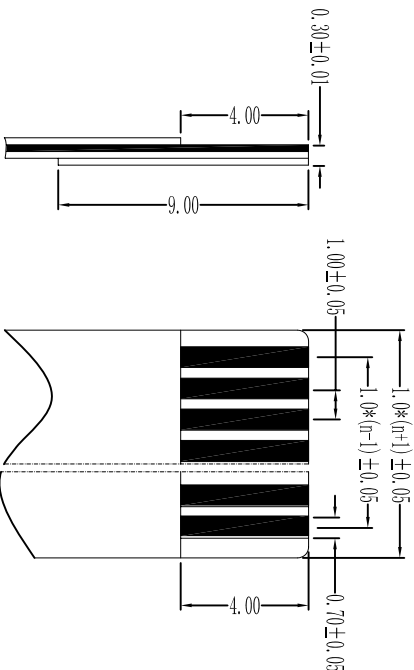
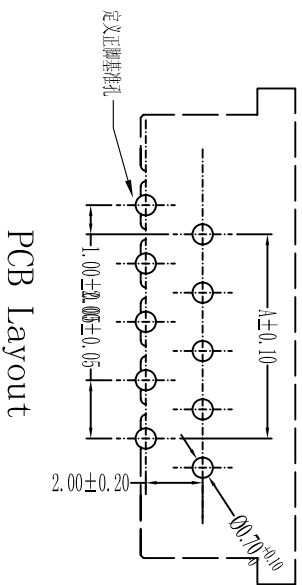


1.0mm PITCH FPC CONNECTORS



性能:
 额定电流: 0.5A
 额定电压: 50V
 耐电压: 500V
 接触电阻: $\leq 20m\Omega$
 绝缘电阻: 800M Ω
 工作温度: -20°C~+85°C

塑件 (材质): LCP, UL94V-0
 镀扣 (材质): LCP, UL94V-0
 插簧 (材质): 磷青铜, 镀锡/镀金



适用扁平电缆

孔位	A	B	C	D
2	1	3.15	7.2	9.1
3	2	4.15	8.2	10.1
4	3	5.15	9.2	11.1
5	4	6.15	10.2	12.1
6	5	7.15	11.2	13.1
7	6	8.15	12.2	14.1
8	7	9.15	13.2	15.1
9	8	10.15	14.2	16.1
10	9	11.15	15.2	17.1
11	10	12.15	16.2	18.1
12	11	13.15	17.2	19.1
13	12	14.15	18.2	20.1
14	13	15.15	19.2	21.1
15	14	16.15	20.2	22.1
16	15	17.15	21.2	23.1
17	16	18.15	22.2	24.1
18	17	19.15	23.2	25.1
19	18	20.15	24.2	26.1
20	19	21.15	25.2	27.1
21	20	22.15	26.2	28.1
22	21	23.15	27.2	29.1
23	22	24.15	28.2	30.1
24	23	25.15	29.2	31.1
25	24	26.15	30.2	32.1
26	25	27.15	31.2	33.1
27	26	28.15	32.2	34.1
28	27	29.15	33.2	35.1
29	28	30.15	34.2	36.1
30	29	31.15	35.2	37.1
31	30	32.15	36.2	38.1
32	31	33.15	37.2	39.1
33	32	34.15	38.2	40.1
34	33	35.15	39.2	41.1
35	34	36.15	40.2	42.1

UNITS	mm
X ± 0.3	X° ± 5°
.X ± 0.25	.X° ± 2°
.XX ± 0.20	.XX° ± 1°
.XXX ± 0.10	.XXX° ± 0.5°

NAME (EXTENDED USED)	MAKE (EXTENDED USED)	TITLE:
MAT'L	1.0mm FPC (I型) 弯插式(正脚)	1.0mm FPC (I型) 弯插式(正脚)
FINISH	1.0K-I-PW	DWG NO.: 100K20-1JH0000000
Q'TY		SCALE 1/1
		SHEET 1/1
		REV. A



SHEN ZHEN DE RUI ELECTRONIC CO., LTD