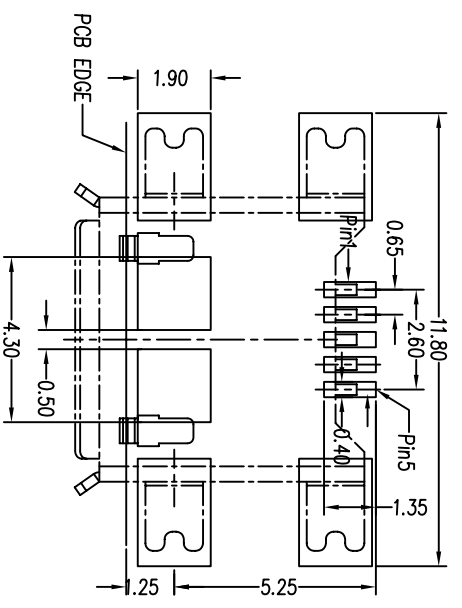
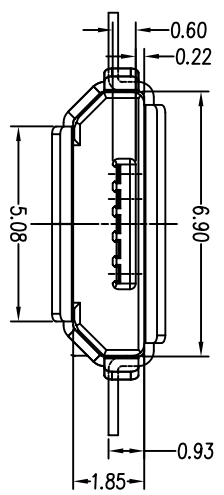
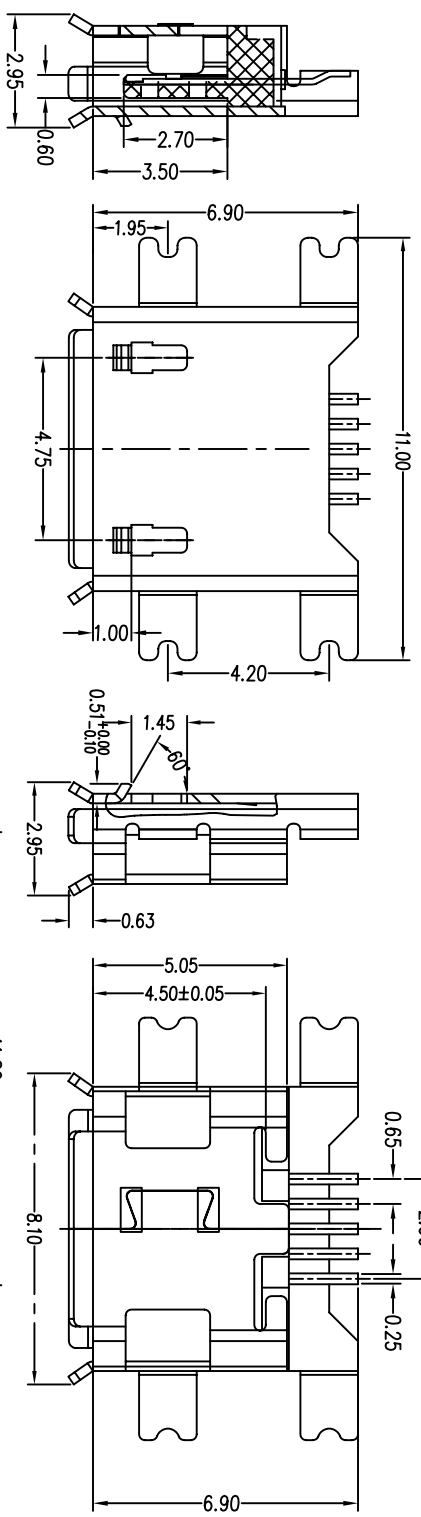
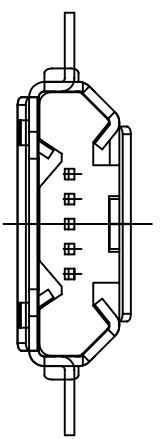


REV.	ECON NO	LOCATIONS	DESCRIPTION	DATE	REVISER	APPD
REV	ECONNO	LOCATIONS	DESCRIPTION	DATE	REVISER	



RECOMMENDED PCB LAYOUT

- Note:
1. Material:
    - 1.1 Housing: High temperature thermoplastic with g.f. UL94v-0
    - 1.2 Contact: copper alloy, t=0.20mm
    - 1.3 Shell: copper alloy, t=0.25mm
  2. Specification:
    - 2.1 Current rating: 1 A Max.
    - 2.2 Dielectric withstanding voltage: 100 V(ac) for 1 min.
    - 2.3 Contact resistance: 50 mΩ Max.
    - 2.4 Insulation resistance: 100 MΩ Min.
    - 2.5 Total mating force: 3.57 Kgf Max.
    - 2.6 Total unmating force: 1.0 Kgf Min, 0.81~2.05 Kgf Min, after 10000 insertion/extraction cycles
    - 2.7 Temperature range: -30°C~80°C

Order Information:

1-MD05SMXXX-01  
 ① ② ③ ④ ⑤ ⑥ ⑦ ⑧ ⑨

- |                |           |                    |                  |
|----------------|-----------|--------------------|------------------|
| 1: Assy.       | 5: Style  | 7: Contact plating | 8: Shell plating |
| 2: Series No.  | M: Smt    | 1: 1u"             | T: Tin           |
| 3: Contact No. | 6: Color  | 2: 3u"             | N: Nickel        |
| 05: 5 pos.     | B: Black  | 3: 5u"             | A: Au plated all |
| 4: P: Plug     | W: White  | 4: 15u"            | B: None          |
| S: Socket      | N: Nature | 5: 30u"            | ...              |

No.	Name	Qty	Finish
3	Shell	1	N/A
2	Contact	5	N/A
1	Housing	1	N/A

PART NO.	PARTNO.	MATERIAL	MATERIAL
MODEL NO.	MOULDNO.	FINISH	FINISH
UNIT	SIZE	COLOR	COLOR
TOLERANCE UNSPECIFIED	DR: ??R	CHK: ??R	DR: ??R
.X	.X		
.XX	.XX		
.XXX	.XXX		
ANG.	ANG.	APP:	APP:

深圳市德瑞电子有限公司  
 SHENZHEN DERUI ELECTRONIC CO., LTD.  
 CUSTOMER SERVICE

TITLE: Micro usb 5PinB Type (板板式) Smt  
 DWG NO: DWGNO  
 SCALE: SCALE  
 SHEET: SHEET

REV: REV  
 REV: REV