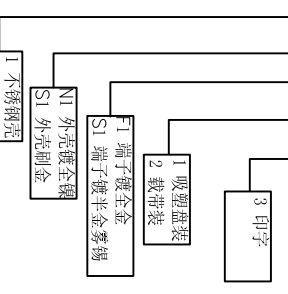


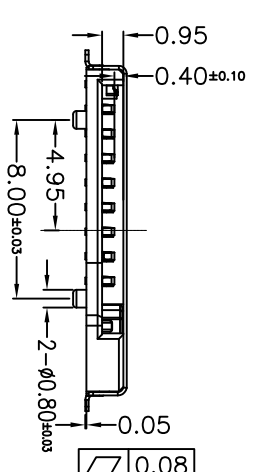
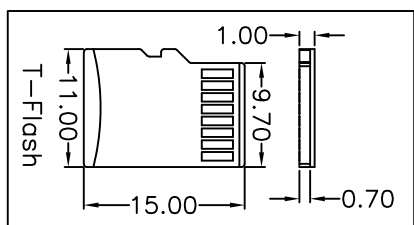
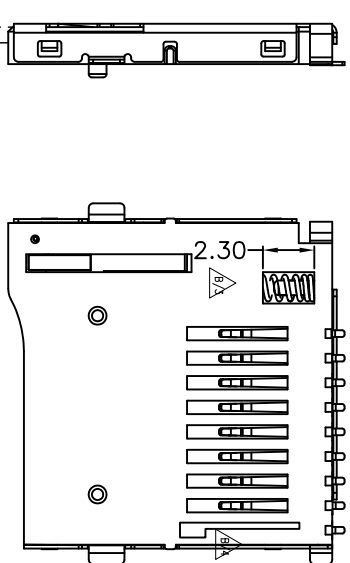
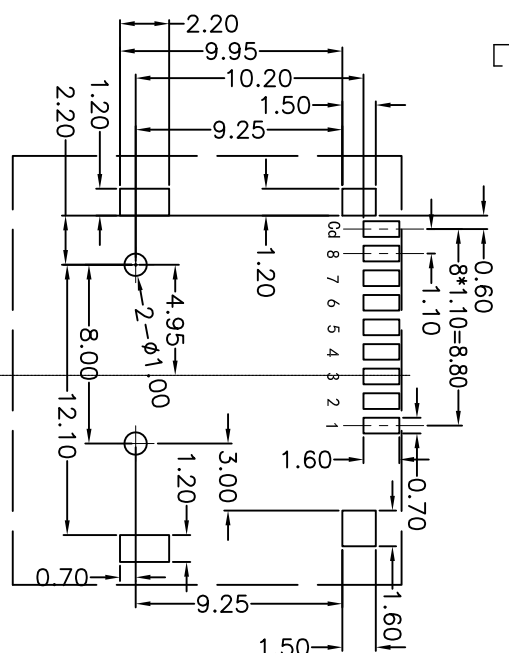
NOTES:

1. MATERIAL:  
HOUSING: HIGH TEMPERATURE THERMOPLASTIC  
UL94V\_0,COLOR:BLACK.  
CONTACT: COPPER ALLOYS.  
COVER: COPPER ALLOYS OR STEEL.
2. PLATING:  
UNDERPLATE: NICKEL.  
CONTACT AREA: GOLD OVER NICKEL.  
SOLDER AREA: TIN OVER NICKEL.
3. MULTIMEDIA CARD COMPATIBLE



订购须知: TFW'X-XXXX-X000-A

RECOMMENDED P.C.B HOLE LAYOUT  
COMPONENT SIDE VIEW(TOLERANCE: +/-0.05)



PIN NO.	NAME	TYPE	DESCRIPTION
1	DATE2	I/O/PP	DATE LINE(BIT2)
2	CD/DATE3	I/O/PP	CARD DETECT DATE LIN(BIT3)
3	CMD	PP	COMMAND RESPONSE
4	VDD	S	SUPPLY VOLTAGE
5	CLK	I	CLOCK
6	VSS	S	SUPPLY VOLTAGE GROUND
7	DATE0	I/O/PP	DATE LINE(BIT0)
8	DATE1	I/O/PP	DATE LINE(BIT1)
9	CD	CD	CD

UNITS mm	MAT'L	FINISH	PCS
X.± 0.3	X.± 0.25	X.± 5'	Q'TY
X.± 0.25	.XX± 0.20	X.± 2'	PCS
.XXX± 0.10	.XX± 1'	XXX± 0.5'	DR: HU 2016.09.28
PART NO.(EXTENDED USE) TFW'X-XXXX-X000-A		TITLE: T-FLASH 外焊 PUSH	
DWG NO.: FP-090012		SCALE 1/1	
SHEET 1/1		REV. A	

**mstconn** 深圳市德瑞电子有限公司  
SHENZHEN DERUI ELECTRONIC CO., LTD.