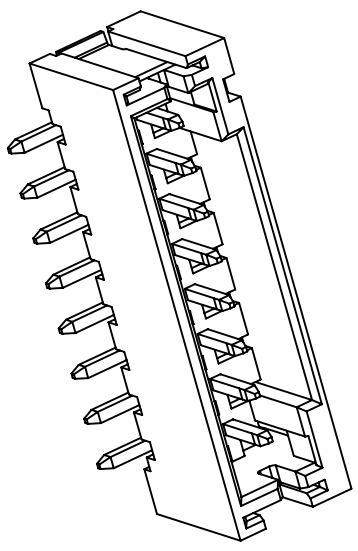
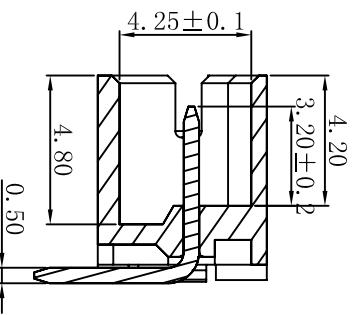
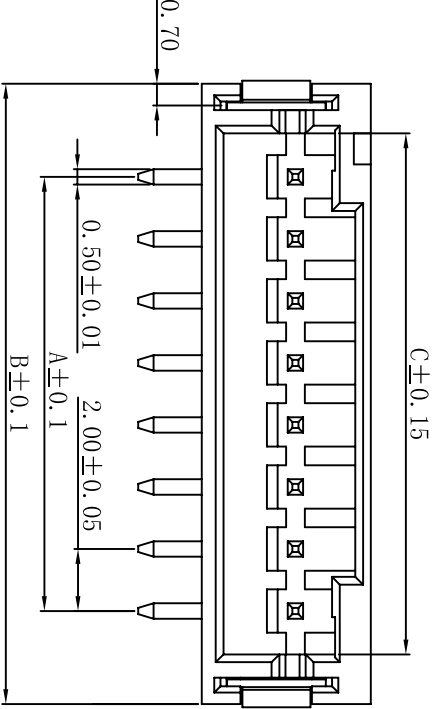
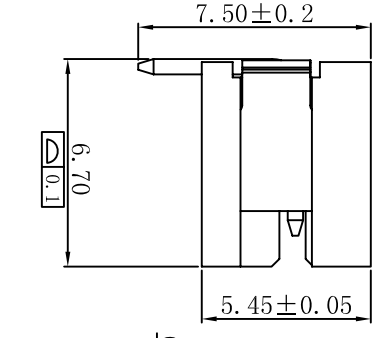
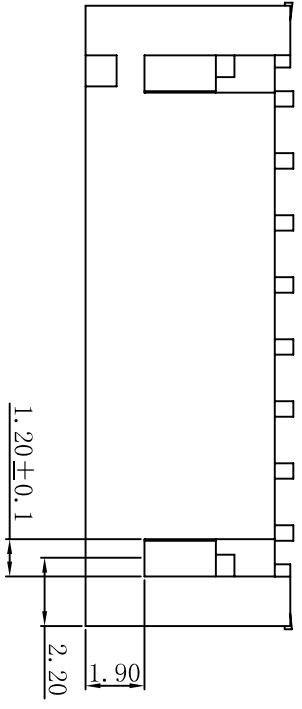


REV.	ECH.N.O	MODIFY CONTENT
------	---------	----------------

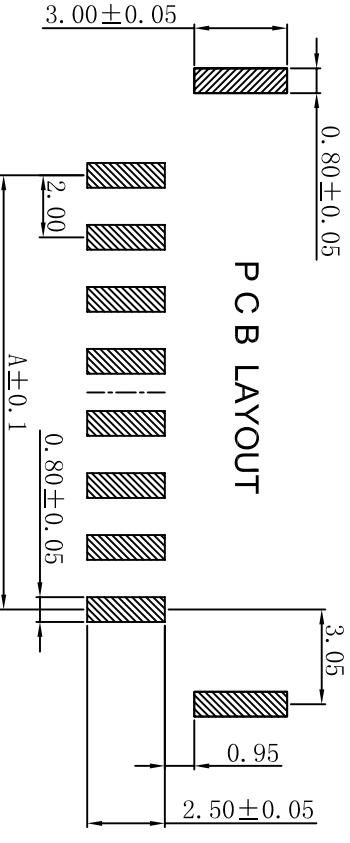
性能:

- 额定电流: 1A
- 额定电压: 100V
- 耐电压: 500V
- 接触电阻:  $\leq 20m\Omega$
- 绝缘电阻: 500M $\Omega$
- 工作温度:  $-20^{\circ}C \sim +85^{\circ}C$

塑件 (材质): LCP, UL94V-0  
 插簧 (材质): 黄铜, 镀锡  
 焊片 (材质): 磷青铜, 镀锡



PCB LAYOUT



孔位	A	B	C
2	2.00	8.00	4.80
3	4.00	10.00	6.80
4	6.00	12.00	8.80
5	8.00	14.00	10.80
6	10.00	16.00	12.80
7	12.00	18.00	14.80
8	14.00	20.00	16.80
9	16.00	22.00	18.80
10	18.00	24.00	20.80
11	20.00	26.00	22.80
12	22.00	28.00	24.80

X.± 0.20	X <sup>2</sup> ± 5'	UNITS	mm
.X± 0.15	.X <sup>2</sup> ± 2'	MATL	
.XX± 0.08	.XX <sup>2</sup> ± 1'	FINISH	
.XXX± 0.05	.XXX <sup>2</sup> ± 0.5'	Q'TY	

NAME(INTENDE USE)	2.0 立贴/wafer
PART NO.(INTENDE USE)	2.0-B-nPB
APPD:	
CHKD:	
DR:	huang sheng2013-02-02

TITLE:	2.0 立贴/wafer
DWG NO.:	
<b>mstconn</b>	
SHEN ZHEN DE RUI ELECTRONIC CO.,LTD	
SCALE	SHEET
REV.	